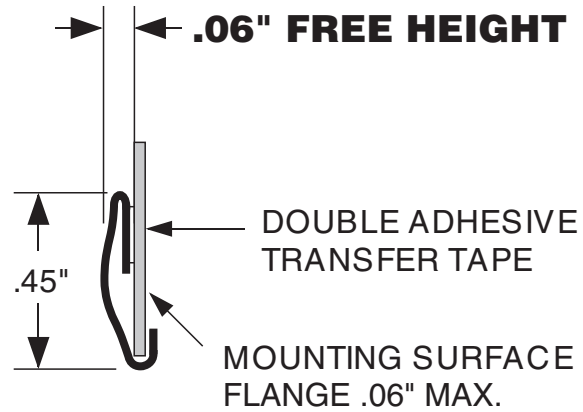
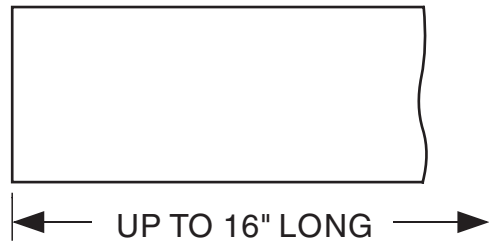


FINISH CODES

FILL IN SHADED AREAS TO COMPLETE THE PART DESCRIPTION



TECH-ETCH MANUFACTURING PART NUMBER

LP45H060-	-
(PROFILE) - (LENGTH) - (FINISH)	
CHOOSE STANDARD THICKNESS OR	"TF" THICKNESS

NOTES:

1. MATERIAL .0035" BeCu, C17200 HARDENED.
2. FINISH: AS SPECIFIED - SEE TOP LEFT.
3. UNLESS OTHERWISE SPECIFIED DIMENSIONS ARE IN INCHES.

UNLESS OTHERWISE SPECIFIED ALL TOLERANCES TO BE: .XX ±.02 .XXX ±.005 .X ±.005/in.	<p>Tech-Etch</p> <p>45 Aldrin Road, Plymouth, MA 02360 TEL 508-747-0300 • FAX 508-746-9639 sales@tech-etch.com • www.tech-etch.com</p>
SCALE: 200%	CATALOG PROFILE: LP45H060
DATE: 5/1/03	PART NAME: Stick-on Slotless Gasket
CUSTOMER PART NUMBER:	