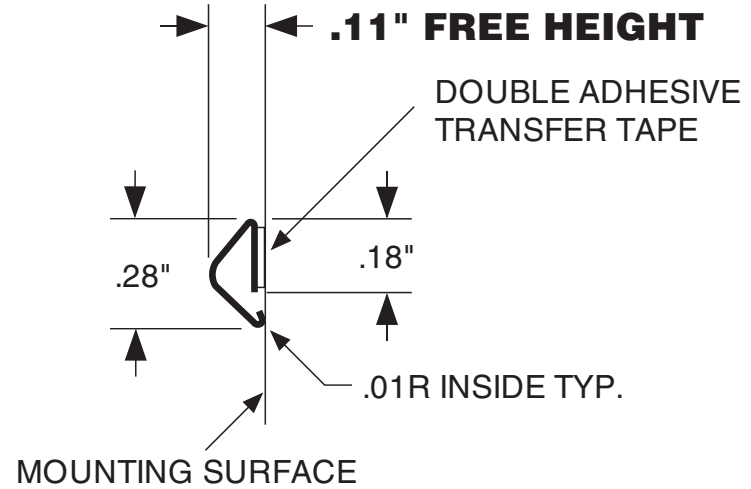
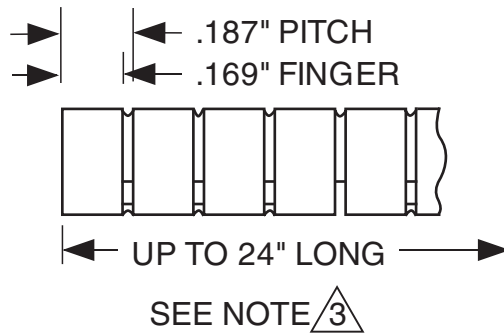


**FINISH CODES**

**FILL IN SHADED AREAS TO COMPLETE THE PART DESCRIPTION**



**TECH-ETCH MANUFACTURING PART NUMBER**

<b>187P28</b>			
(PROFILE)	-	(LENGTH)	- (FINISH)
<b>LENGTH CALCULATOR FOR PART NUMBER ABOVE</b>			
CLICK HERE FOR STOCK LENGTH, OR ENTER NUMBER OF FINGERS HERE:			

**NOTES:**

1. MATERIAL ~~Al-6061~~ ~~Al-6063~~ Cu, C17200 HARDENED.
2. FINISH: AS SPECIFIED - SEE TOP LEFT.
- 3 STRIPS MAY BE SUPPLIED CUT TO ANY FULL FINGER INCREMENT.  
ALLOWED LENGTHS = NUMBER OF FINGERS MINUS SLOT WIDTH.
4. UNLESS OTHERWISE SPECIFIED DIMENSIONS ARE IN INCHES.

UNLESS OTHERWISE SPECIFIED ALL TOLERANCES TO BE: .XX ±.02 .XXX ±.005 .X ±.005/in.	45 Aldrin Road, Plymouth, MA 02360 TEL 508-747-0300 • FAX 508-746-9639 sales@tech-etch.com • www.tech-etch.com
SCALE: <div style="text-align: center; font-size: 1.2em; font-weight: bold;">200%</div>	CATALOG PROFILE: <div style="text-align: center; font-size: 1.2em; font-weight: bold;">187P28</div>
DATE: <div style="text-align: center; font-size: 1.2em; font-weight: bold;">5/1/03</div>	PART NAME: <div style="text-align: center; font-size: 1.2em; font-weight: bold;">Stick-on Soft Fingers</div>
CUSTOMER PART NUMBER:	