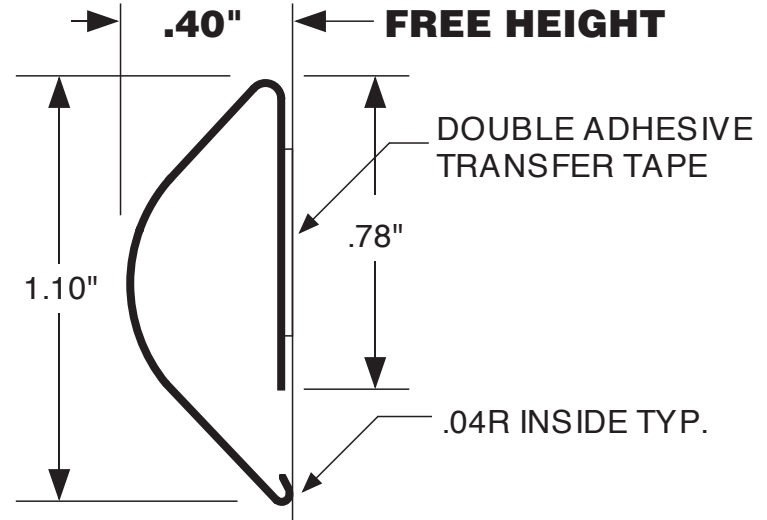
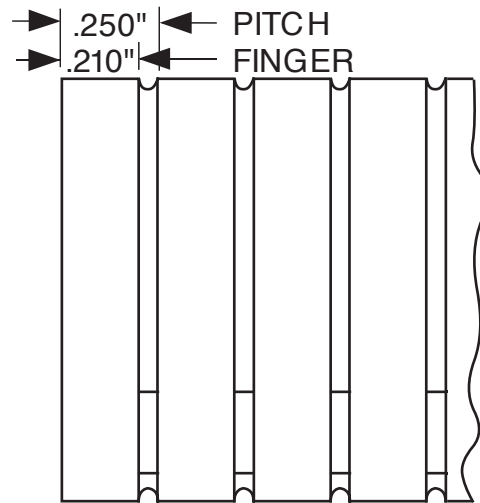


**FINISH CODES**

**FILL IN SHADED AREAS TO COMPLETE THE PART DESCRIPTION**



UP TO 18" LONG

SEE NOTE 3

**TECH-ETCH MANUFACTURING PART NUMBER**

250P110 - - (PROFILE) - (LENGTH) - (FINISH)
<b>LENGTH CALCULATOR FOR PART NUMBER ABOVE</b> CLICK HERE FOR STOCK LENGTH, OR ENTER NUMBER OF FINGERS HERE:

**NOTES:**

1. MATERIAL .005" BeCu, C17200 HARDENED.
2. FINISH: AS SPECIFIED - SEE TOP LEFT.
- 3 STRIPS MAY BE SUPPLIED CUT TO ANY FULL FINGER INCREMENT.  
ALLOWED LENGTHS = NUMBER OF FINGERS MINUS SLOT WIDTH.
4. UNLESS OTHERWISE SPECIFIED DIMENSIONS ARE IN INCHES.

UNLESS OTHERWISE SPECIFIED ALL TOLERANCES TO BE:  .XX ±.02 .XXX ±.005 .X ±.005/in.	<div style="text-align: center;">                  45 Aldrin Road, Plymouth, MA 02360                  TEL 508-747-0300 • FAX 508-746-9639                  sales@tech-etch.com • www.tech-etch.com             </div>
SCALE: <span style="font-size: 1.2em; font-weight: bold;">200%</span>	CATALOG PROFILE: <span style="font-size: 1.2em; font-weight: bold;">250P110</span>
DATE: <span style="font-size: 1.2em; font-weight: bold;">5-20-09</span>	PART NAME: <span style="font-size: 1.2em; font-weight: bold;">Stick-on Soft No-snap Fingers</span>
CUSTOMER PART NUMBER:	