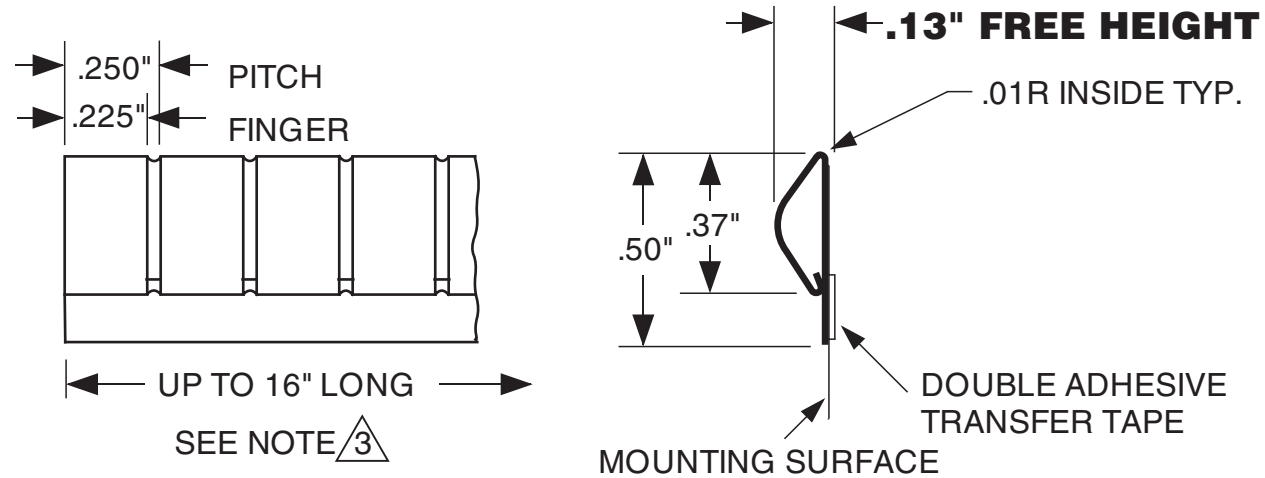


**FINISH CODES**

**FILL IN SHADED AREAS TO COMPLETE THE PART DESCRIPTION**




**TECH-ETCH MANUFACTURING PART NUMBER**

|                                                                  |   |          |   |
|------------------------------------------------------------------|---|----------|---|
| <b>250P37E50</b>                                                 |   |          |   |
| (PROFILE)                                                        | - | (LENGTH) | - |
| <b>LENGTH CALCULATOR FOR PART NUMBER ABOVE</b>                   |   |          |   |
| CLICK HERE FOR STOCK LENGTH,<br>OR ENTER NUMBER OF FINGERS HERE: |   |          |   |

**NOTES:**

1. MATERIAL ~~Al-Cu~~ <sup>Al-Cu</sup> BeCu, C17200 HARDENED.
2. FINISH: AS SPECIFIED - SEE TOP LEFT.
3. STRIPS MAY BE SUPPLIED CUT TO ANY FULL FINGER INCREMENT. ALLOWED LENGTHS = NUMBER OF FINGERS MINUS SLOT WIDTH.
4. UNLESS OTHERWISE SPECIFIED DIMENSIONS ARE IN INCHES.

|                                                                                            |                                                                                                                                                                                                               |
|--------------------------------------------------------------------------------------------|---------------------------------------------------------------------------------------------------------------------------------------------------------------------------------------------------------------|
| UNLESS OTHERWISE SPECIFIED ALL TOLERANCES TO BE:<br>.XX ±.02<br>.XXX ±.005<br>.X ±.005/in. | <br>45 Aldrin Road, Plymouth, MA 02360<br>TEL 508-747-0300 • FAX 508-746-9639<br>sales@tech-etch.com • www.tech-etch.com |
| SCALE:<br><div style="text-align: center; font-size: 1.2em;"><b>200%</b></div>             | CATALOG PROFILE:<br><div style="text-align: center; font-size: 1.2em;"><b>250P37E50</b></div>                                                                                                                 |
| DATE:<br><div style="text-align: center; font-size: 1.2em;"><b>5/1/03</b></div>            | PART NAME:<br><div style="text-align: center; font-size: 1.2em;"><b>Stick-on Soft No-snap Fingers</b></div>                                                                                                   |
| CUSTOMER PART NUMBER:                                                                      |                                                                                                                                                                                                               |