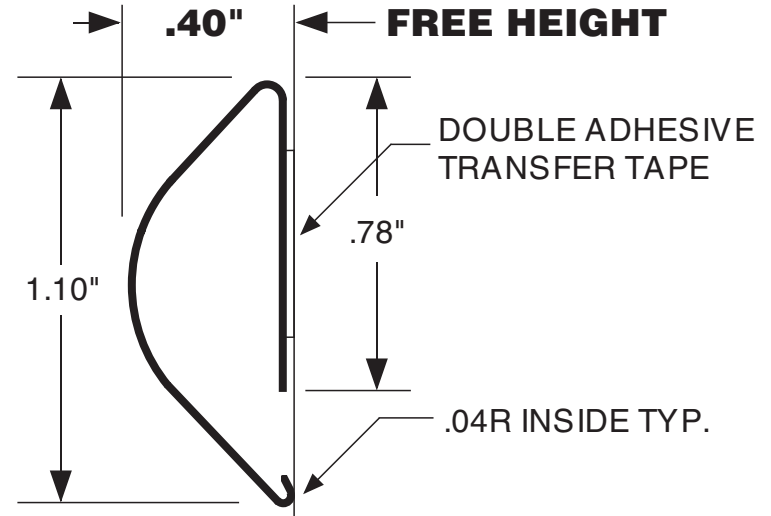
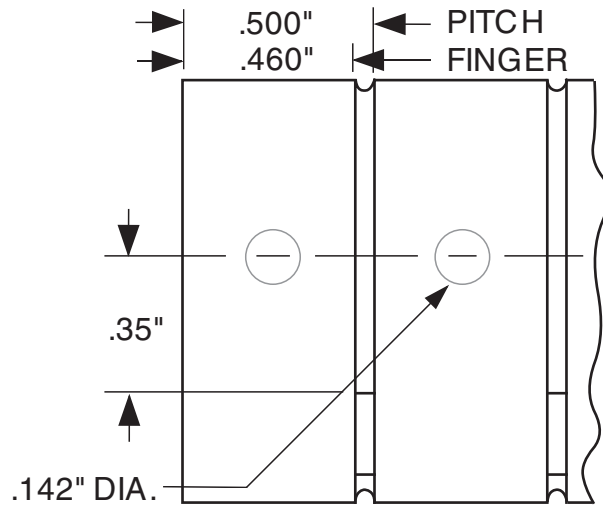


FINISH CODES

FILL IN SHADED AREAS TO COMPLETE THE PART DESCRIPTION




UP TO 18" LONG
SEE NOTE ³

TECH-ETCH MANUFACTURING PART NUMBER

500P110 - -			
(PROFILE)	-	(LENGTH)	-
LENGTH CALCULATOR FOR PART NUMBER ABOVE			
CLICK HERE FOR STOCK LENGTH, OR ENTER NUMBER OF FINGERS HERE:			

NOTES:

1. MATERIAL ~~Al~~ ~~Al~~ ~~Al~~ Cu, C17200 HARDENED.
2. FINISH: AS SPECIFIED - SEE TOP LEFT.
- ³ STRIPS MAY BE SUPPLIED CUT TO ANY FULL FINGER INCREMENT.
ALLOWED LENGTHS = NUMBER OF FINGERS MINUS SLOT WIDTH.
4. UNLESS OTHERWISE SPECIFIED DIMENSIONS ARE IN INCHES.

UNLESS OTHERWISE SPECIFIED ALL TOLERANCES TO BE: .XX ±.02 .XXX ±.005 .X ±.005/in.	 45 Aldrin Road, Plymouth, MA 02360 TEL 508-747-0300 • FAX 508-746-9639 sales@tech-etch.com • www.tech-etch.com
SCALE: <div style="text-align: center; font-size: 1.2em;">200%</div>	CATALOG PROFILE: <div style="text-align: center; font-size: 1.2em;">500P110</div>
DATE: <div style="text-align: center; font-size: 1.2em;">5/1/03</div>	PART NAME: <div style="text-align: center; font-size: 1.2em;">Stick-on Soft No-snap Fingers</div>
CUSTOMER PART NUMBER:	